

National Safety Apparel Size Chart

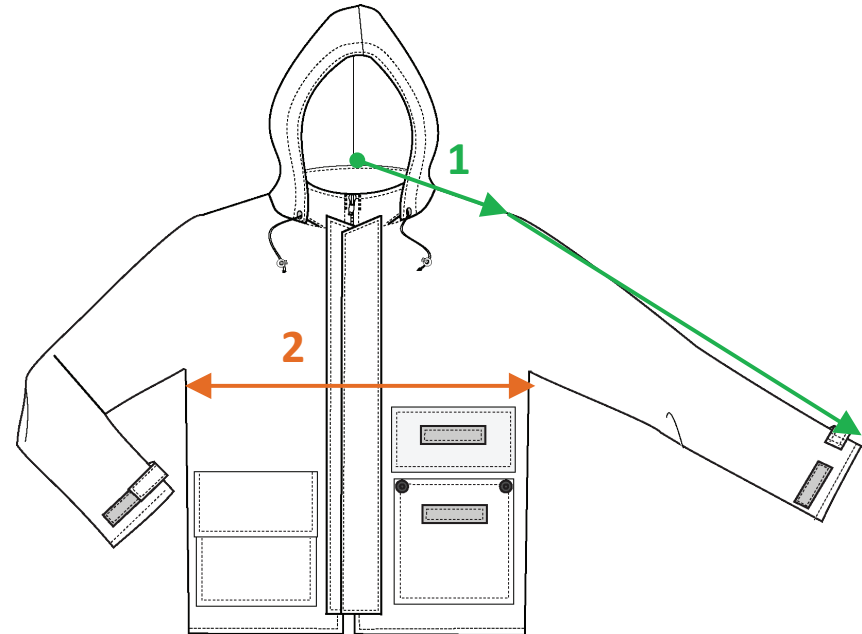
How to Measure:

1. Sleeve

Measure from center back neck straight to shoulder point and then down to sleeve hem

2. Chest

Measure 1" below armhole, across front and back, holding tape firm and level



Measurements are actual garment measurements based on a garment that has not been laundered

R30 Sizing Chart:

Size	MD	LG	XL	2X	3X
Sleeve length*:	34.5"	35.5"	36"	36.5"	37.5"
Chest*:	51"	54"	58"	62"	67"

*Actual measurements may be +/- 1" of measurement shown in chart